



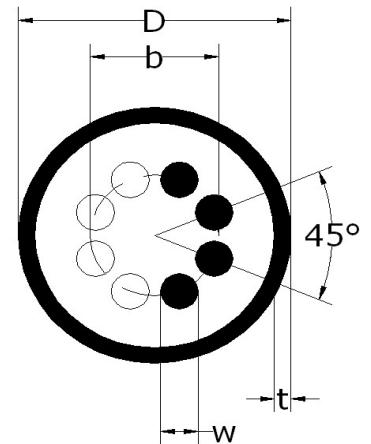
**MI Cable Technologies, Inc.**  
 Bay 5, 5905 - 11 Street SE, Calgary, Canada T2H 2A6  
 Tel: 403-571-8266  
 Fax: 403-571-8267  
 email: sales@micabletechnologies.com

Drawing # S-0601-09-04

ISO9001:2015  
 ISO17025:2017

## Four Wire RTD Cable Design Specification, C12 Series, Standard Sheath

Sheath Types	Conductor Types	MgO Purity
316	Ni (nickel)	Standard (> 97%)
321	Cu (copper)	
	B (Cu-Ni)	



**Coil diameter**  
 Cable supplied in 24" diameter coils

D Cable Diameter	t Sheath Thickness	b Bolt Circle Diameter	W Wire Diameter	Nominal Coil Length	IR Test Voltage	Dielectric Test Voltage
0.177" (4.5mm)	0.017" (0.44mm)	0.095" (2.41mm)	0.021" (0.53mm)	888' (271m)	500V	500V
0.188" (4.8mm)	0.018" (0.47mm)	0.101" (2.57mm)	0.023" (0.58mm)	787' (240m)	500V	500V
0.236" (6.0mm)	0.023" (0.59mm)	0.127" (3.23mm)	0.028" (0.71mm)	500' (152m)	500V	750V
0.250" (6.4mm)	0.024" (0.62mm)	0.135" (3.43mm)	0.030" (0.76mm)	445' (136m)	500V	750V
0.313" (8.0mm)	0.031" (0.78mm)	0.169" (4.29mm)	0.038" (0.97mm)	284' (87m)	500V	750V
0.375" (9.5mm)	0.036" (0.93mm)	0.202" (5.13mm)	0.045" (1.14mm)	198' (60m)	500V	750V

Cable dimensions shown are nominal. Actual dimensions may vary within tolerance limits. Specifications subject to change without notice.